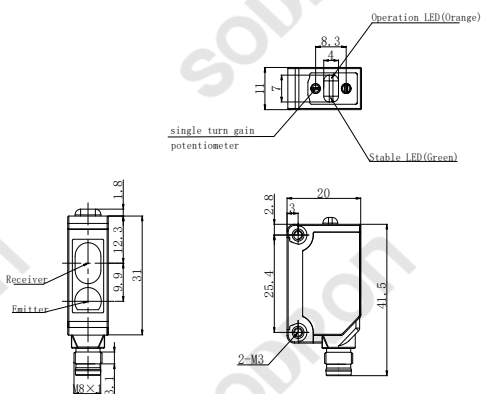




## Dimensions



Model	Technical parameters	
	Detection method	Adjustable Distance Reflective Type
PF31V-B30BNSR-E1 PF31V-B30BPSR-E1	Model	NPN PNP
		PF31V-B30BNSR-E1 PF31V-B30BPSR-E1
	Sensing distance	30 ~ 300mm
	Standard target	White paper 100×100mm
	Reflectivity characteristic	20% of set distance max
	Output mode	Light ON/Dark ON adjustable
	Light source	Red LED 620nm
	Supply power	DC 12 ~ 24V ±10% impulse(P-P) < 10%(DC10-30V)
	Residual voltage	2V max(Load current ≤ 100mA)
	Current consumption	< 25mA
	Load current	≤ 100mA
	Circuit protection	Reverse connection protection, Short circuit protection
	Response time	< 1ms
	Distance setting	5-turned endless adjuster
	Detection mode	Wiring Mode Switching: Select BGS/FGS Functions
	Indicator light	Output: Orange LED Stable: Green LED
	Connection	Connector model (M8 Four-pin Male Plug)
	Ambient temperature	Work: -25 ~ +55°C; Store: -30 ~ +70°C, (No dew condensation or icing allowed)
	Ambient humidity	Work: 35 ~ 85%RH, Store: 35 ~ 95%RH, (No dew condensation)
	Ambient illumination	Sunlight: 10,000Lx Lamplight: 3,000Lx
	Withstand voltage	AC 1000V, 50/60Hz, 1min, between current-carrying parts and case
	Insulation resistance	> 20MΩ (DC500V megger) between current-carrying parts and case
	Anti-vibration	10~55Hz double-amplitude 1.5mm X,Y,Z 2h
	Impact resistance	500m/s <sup>2</sup> X,Y,Z, directions for 3 times
	Protection degree	IEC IP65
	Housing	PBT
	Material	PMMA
	Lens	

## Model

## Technical parameters

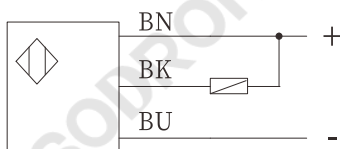
PF31V-B30BNSR-E1  
PF31V-B30BPSR-E1

## Product features

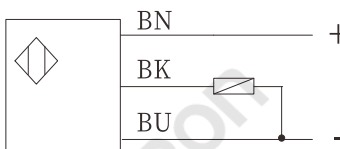
- With background suppression function, red light 620nm
- Adopts ASIC, featuring fast response and high frequency
- IEC IP65

## Connection

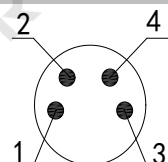
## NPN



## PNP



## Terminal Number and Function Table



Terminal No.	Technical parameters
1	+V
2	No connection
3	0V
4	output

